

Replacement Parts List

Notes: *Important safety notice:

 Components identified by Δ mark have special characteristics important for safety.

Furthermore, special parts which have purposes of fire-retardant (resistors), high-quality sound (capacitors), low-noise (resistors), etc. are used.

When replacing any of components, be sure to use only manufacturer's specified parts shown in the parts list.

*The parenthesized indications in the Remarks columns specify the areas. (Refer to the cover page for area.)

Parts without these indications can be used for all areas.

*Remote Control Ass'y: Supply period for three years from termination of production.

*The "(SF)" mark denotes the standard part.

Ref. No.	Part No.	Part Name & Description	Remarks	Ref. No.	Part No.	Part Name & Description	Remarks
		INTEGRATED CIRCUIT(S)		S601	EVQ21405R	SW, POWER	
IC301	M5218AP	IC, HEADPHONES AMP.		S606	EVQ21405R	SW, SOURCE DIRECT	
IC401	AN6558F	IC, MIC AMP.		S607	EVQ21405R	SW, EQ SPACE/FLAT	
IC501	RSN35H1	IC, POWER AMP.	Δ	S608	EVQ21405R	SW, V. BASS	
		TRANSISTOR(S)				CONNECTOR(S)	
Q201, 202	2SD1450RTA	TRANSISTOR		CN501-1	RJS1A6604	CONNECTOR(4P)	
Q203	UN4115	TRANSISTOR		CN501-2	RJS1A6604	CONNECTOR(4P)	
Q354	2SC3311AIRTA	TRANSISTOR		CN501-3	RJS1A6604	CONNECTOR(4P)	
Q401	2SC1740SQ	TRANSISTOR		CN502-1	RJS1A6603	CONNECTOR(3P)	
Q571, 572	2SC3311AIRTA	TRANSISTOR		CN703-1	RJS1A6604	CONNECTOR(4P)	
Q573	2SA1309A1QTA	TRANSISTOR		CN703-2	RJS1A6604	CONNECTOR(4P)	
Q601	DTA114ESTP	TRANSISTOR		CN701-709	RJS1A1101T1	CONNECTOR(1P)	
Q602	2SC1740SQ	TRANSISTOR		CN710	RJS1A1101T1	CONNECTOR(1P)	(EB)
Q701	2SD2374PQAU	TRANSISTOR	Δ	CN712	RJS1A1101T1	CONNECTOR(1P)	(E, EG, EP)
Q702	2SB1548PQAU	TRANSISTOR	Δ	CN715	RJU057W004	CONNECTOR(4P)	
Q704	2SC3311AIRTA	TRANSISTOR		CP715	RJT057W004-1	CONNECTOR(4P)	
		DIODE(S)				GND PLATE	
D372	MA165	DIODE		E501	SNE1004-2	GND PLATE	
D401	MTZJ6R2BTA	DIODE	Δ	E701	SNE1004-2	GND PLATE	
D402	1SS254TA	DIODE				FUSE HOLDER(S)	
D600	SLR-305VC	L. E. D.		FC1-6	EYF52BC	FUSE HOLDER	
D601, 602	LNJ301MPUJAD	L. E. D.				POWER TRANSFORMER	
D701-704	1N5402BF	DIODE	Δ	PT701	RTP2M5B007	POWER TRANSFORMER	Δ
D705, 706	RL1N4003N02	DIODE	Δ			RELAY	
D712	MA4240H	DIODE		RL701	RSY0013M-0	RELAY	Δ
D715, 716	MA4150M	DIODE	Δ			JACK(S)	
D717	MA4051MTA	DIODE	Δ	JK201	RJT065K20	SYSTEM CONNECTOR(20P)	
D781, 782	MA165	DIODE	Δ	JK301	RJJ37TN01-C	HEADPHONES JACK	
D783	MA4062MTA	DIODE	Δ	JK401	RJJ65MA01	MIC JACK	
		VARIABLE RESISTOR(S)		JK501	RJRO054M	SP TERMINAL	
VR401	RRV11A01B14A	V. R, MIC VOLUME CONTROL		JK701	SJS9236	AC INLET	Δ
VR601	EVQWVF2024B	V. R, MAIN VOLUME CONTROL					
		COIL(S)					
L501, 502	RLQYR73M	COIL					
L701	RLQZ271M	COIL	Δ				
		FUSE(S)					
F1	XBA2C10TBO	FUSE, 250V T1A	Δ				
F701, 702	XBA2C16TBO	FUSE, 250V T1.6A	Δ				
		SWITCH(ES)					

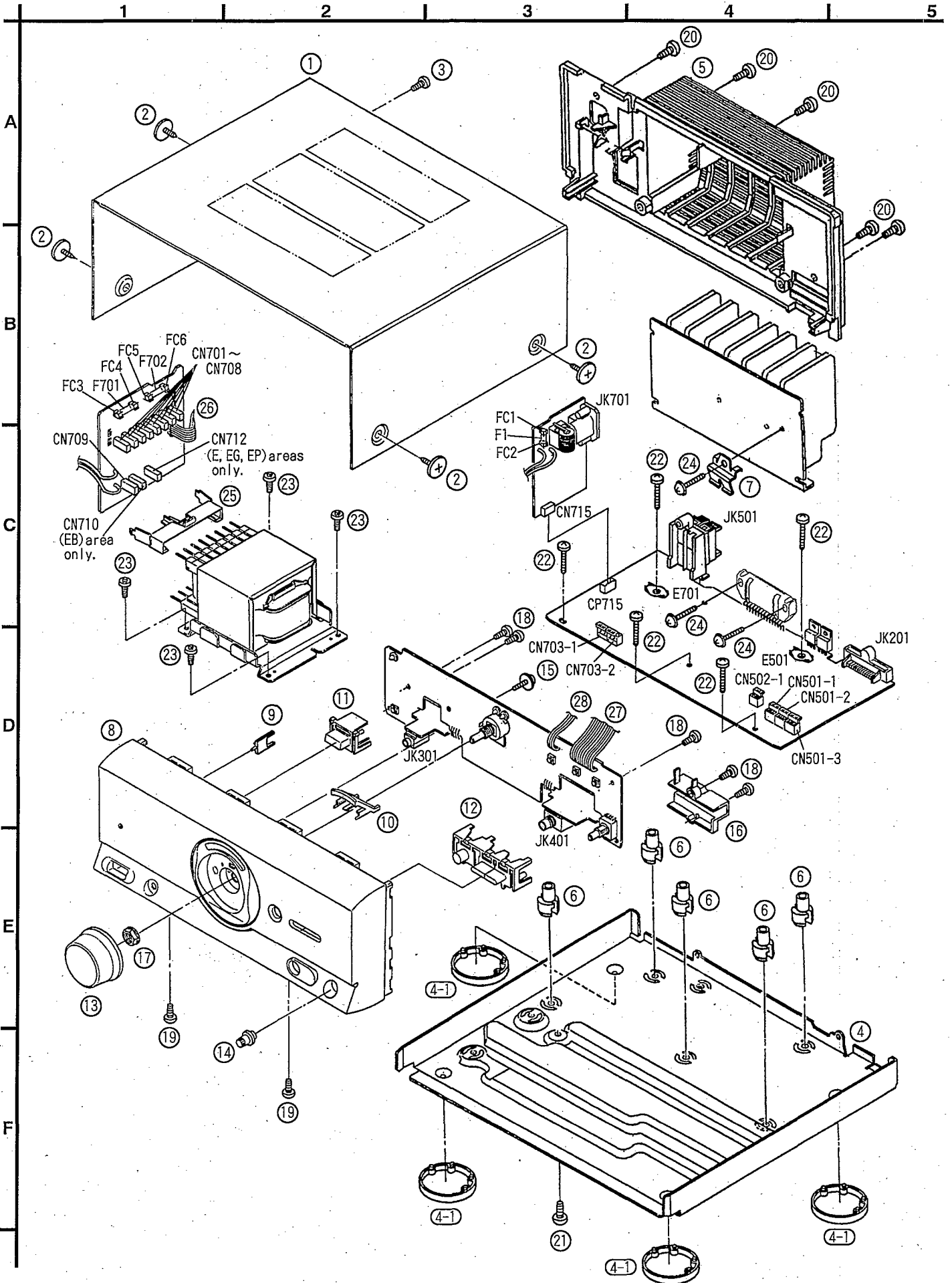
Notes : * Capacity values are in microfarads (μF) unless specified otherwise, P=Pico-farads (pF) F=Farads (F)
 * Resistance values are in ohms, unless specified otherwise, 1K=1,000 (OHM) , 1M=1,000k(OHM)

Ref. No.	Part No.	Values & Remarks	Ref. No.	Part No.	Values & Remarks	Ref. No.	Part No.	Values & Remarks
		RESISTORS	R601	ERDS2TJ391	1/4W 390	C421	ECBT1H102KB5	50V 1000P
R223, 224	ERDS2TJ103	1/4W 10K	R602	ERDS2TJ561	1/4W 560	C501, 502	ECA1HAP3R3B	50V 3.3U
R251	ERDS2TJ222	1/4W 2.2K	R603, 604	ERDS2TJ472	1/4W 4.7K	C503, 504	ECBT1C332KR5	16V 3300P
R253, 254	ERDS2EJ121	1/4W 120	R701 Δ	ERD2FCVJ4R7T	1/4W 4.7	C505, 506	ECBT1H150J5	50V 15P
R255	ERDS2TJ154	1/4W 150K	R702 Δ	ERD25FJ2R2	1/4W 2.2	C507, 508	ECBT1C472KR5	16V 4700P
R256	ERDS2TJ105T	1/4W 1M	R703, 704	ERDS2TJ562	1/4W 5.6K	C509, 510	ECEA1HKA2R2B	50V 2.2U
R259	ERDS2TJ561	1/4W 560	R705	ERDS2TJ103	1/4W 10K	C511, 512	ECBT1C122KR5	16V 1200P
R291, 292	ERDS2TJ472	1/4W 4.7K	R706	ERDS2TJ100	1/4W 10	C513	ECA1HMA70B	50V 47U
R301, 302	ERDS2TJ222	1/4W 2.2K	R709	ERG1SJ221E	1W 220	C514	ECA2AAP100B	100V 10U
R303, 304	ERDS2TJ333	1/4W 33K	R711	ERG1SJ271E	1W 270	C515, 516	ECFRI1H04ZF	50V 0.1U
R305, 306	ERDS2TJ123	1/4W 12K	R716	ERDS2TJ392T	1/4W 3.9K	C517, 518	ECEA1HKAR33B	50V 0.33U
R307, 308	ERDS2TJ102	1/4W 1K	R717	ERDS2TJ473	1/4W 47K	C571	ECEA0JKA101B	6.3V 100U
R309-312	ERDS2EJ121	1/4W 120	R731	ERDS2TJ104	1/4W 100K	C572	ECBT1E223ZF	25V 0.022U
R331, 332	ERDS2TJ122	1/4W 1.2K	R780	ERDS2TJ822	1/4W 8.2K	C701, 702 Δ	ECA1HM222B	50V 2200U
R375	ERDS2TJ103	1/4W 10K	R781, 782	ERDS2TJ561	1/4W 560	C703, 704	ECEA1CKA330B	16V 33U
R391	ERDS2TJ473	1/4W 47K	R791	ERDS2TJ101	1/4W 100	C705, 706	ECKRI1H03ZF5	50V 0.01U
R401	ERDS2TJ332	1/4W 3.3K	R793 Δ	ERQ16NKR15E	1/6W 0.15	C707 Δ	ECA1HMA70B	50V 47U
R403	ERDS2TJ223	1/4W 22K	R801	ERDS2TJ821	1/4W 820	C710	ECBT1E103ZF	25V 0.01U
R404	ERDS2TJ122	1/4W 1.2K	R802	ERDS2TJ102	1/4W 1K	C711	ECQE1104KF3	100V 0.1U
R405	ERDS2TJ184T	1/4W 180K	R803	ERDS2TJ122	1/4W 1.2K	C712	ECBT1E223ZF	25V 0.022U
R406	ERDS2TJ102	1/4W 1K	R804	ERDS2TJ152	1/4W 1.5K	C714	ECKRI1H03ZF5	50V 0.01U
R407	ERDS2TJ104	1/4W 100K	R805	ERDS2TJ182	1/4W 1.8K	C731	ECEA1HKN010B	50V 1U
R408	ERDS2TJ473	1/4W 47K	R806	ERDS2TJ222	1/4W 2.2K	C781 Δ	RCE1AKA330BG	10V 33U
R409	ERDS2TJ332	1/4W 3.3K	R807	ERDS2TJ332	1/4W 3.3K	C799	ECBT1H104ZF5	50V 0.1U
R410	ERDS2TJ102	1/4W 1K	R850	ERDS2TJ682T	1/4W 6.8K	C905, 906	ECBT1H101KB5	50V 100P
R411	ERDS2TJ562	1/4W 5.6K			CAPACITORS	C1101, 1102	ECBT1E223ZF	25V 0.022U
R412	ERDS2TJ102	1/4W 1K				C1103-1106	ECBT1H102KB5	50V 1000P
R413	ERDS2TJ562	1/4W 5.6K	C251	ECEA0JKA221B	6.3V 220U			
R414	ERDS2TJ332	1/4W 3.3K	C301, 302	RCE1CKA100BG	16V 10U			
R415	ERDS2TJ103	1/4W 10K	C303-306	ECBT1H101KB5	50V 100P			
R420	ERDS2TJ104	1/4W 100K	C307, 308	ECEA1CKA220B	16V 22U			
R501, 502	ERDS2TJ102	1/4W 1K	C381, 382	ECBT1E103ZF	25V 0.01U			
R503-506	ERDS2TJ563	1/4W 56K	C395, 396	ECBT1E223ZF	25V 0.022U			
R507, 508	ERDS2TJ182	1/4W 1.8K	C397, 398	ECBT1E103ZF	25V 0.01U			
R509, 510	ERDS2TJ821	1/4W 820	C401	ECBT1H221KB5	50V 220P			
R511	ERDS2TJ334	1/4W 330K	C403	ECEA1HKA010B	50V 1U			
R512	ERDS2TJ154	1/4W 150K	C404	ECBT1H221KB5	50V 220P			
R513	ERDS2TJ684	1/4W 680K	C405	ECBT1H151KB5	50V 150P			
R514 Δ	ERD25FJ470	1/4W 47	C406, 407	RCE1HKA3R3BG	50V 3.3U			
R515, 516 Δ	ERDS1FVJ100T	1/2W 10	C408	ECBT1H181KB5	50V 180P			
R517, 518 Δ	ERD25FVJ100T	1/4W 10	C409	ECEA1HKA2R2B	50V 0.22U			
R519, 520	ERDS2TJ392T	1/4W 3.9K	C410	ECBT1E223ZF	25V 0.022U			
R571	ERDS2TJ823T	1/4W 82K	C411	ECBT1E103ZF	25V 0.01U			
R572	ERDS2TJ124T	1/4W 120K	C412	ECBT1E223ZF	25V 0.022U			
R573	ERDS2TJ563	1/4W 56K	C413	ECEA1HKA2R2B	50V 2.2U			
R574	ERDS2TJ564	1/4W 560K	C414	ECEA1AU331	10V 330U			
R575	ERDS2TJ223	1/4W 22K	C415	ECBT1H102KB5	50V 1000P			
			C416	ECEA1HKA010B	50V 1U			

Note: The reference number SA represent the grease and tool used for this unit.

Ref. No.	Part No.	Part Name & Description	Remarks	Ref. No.	Part No.	Part Name & Description	Remarks
		CABINET PARTS				ACCESSORIES	
1	RKM0202A-K	TOP CABINET		A1	RAK-CH204WH	REMOTE CONTROL TRANSMITTER	
2	RHD30007-K1	SCREW		A1-1	RKK0057-K	BATTERY COVER	
3	XTBS3+10JFZ1	SCREW		A2	REE0499	SPEAKER CORD (2000 mm)	
4	RFKJECA7-N	BOTTOM CHASSIS ASS'Y		A3	REX0608	FLAT CABLE (SHORT)	
4-1	RKA0011-3	FOOT		A4	REX0660	FLAT CABLE (MEDIUM)	
5	RKF0429C-K	REAR PANEL	(E, EG, EP)	A5	REX0661	FLAT CABLE (LONG)	
5	RFKHECH540EB	REAR PANEL ASS'Y	(EB)	A6	RJA0019-2K	AC MAINS LEAD	△ (SF) (E, EG, EP)
6	RKQ0089	SPACER		A6	RJA0049-K	AC MAINS LEAD	△ (EB)
7	RMCO158	HOLDER		A7	RFKSECH570EK	INSTRUCTION MANUAL ASS'Y	(E)
8	RFKGECH540EK	FRONT PANEL ASS'Y		A7	RFKSECH570EB	INSTRUCTION MANUAL ASS'Y	(EB)
9	RGLO282-Q	PANEL LIGHT		A7	RQT3481-D	INSTRUCTION MANUAL	(EG)
10	RGLO292-Q	PANEL LIGHT		A7	RQT3496-Q	INSTRUCTION MANUAL	(EP)
11	RGU1224-K	BUTTON, POWER		A8	RQA0117	WARRANTY CARD	(E, EG, EP)
12	RGU1225-K	BUTTON, OPERATION		A9	RQC80169	SERVICE CENTER LIST	(E, EG, EP)
13	RGW0207-1K	KNOB, MAIN		A10	RSA0012	AM LOOP ANTENNA	
14	RGW0235-K	KNOB, MIC		A10-1	RMNO244	ANTENNA HOLDER	
15	RHD26016	SCREW		A10-2	XTN3+12AFZ	SCREW	
16	RMNO329-J	HOLDER		A11	RSA0007	FM INDOOR ANTENNA	
17	SNE4021-1	NUT		A12	SJP9009	ATTACHMENT PLUG	(EB)
18	XTBS26+10J	SCREW				GREASE OR JIG/TOOL	
19	XTBS3+8JFZ1	SCREW					
20	XTB3+10JFZ	SCREW		SA1	RFKX0002	COMPOUND GREASE	
21	XTB3+12JFZ	SCREW					
22	XTB3+20JFZ	SCREW					
23	XTB3+8JFZ	SCREW					
24	XTW3+15T	SCREW					
25	RMNO191	HOLDER					
26	RWJ1808130XX	FLAT CABLE (8P) (W703)					
27	RWJ1812220QC	FLAT CABLE (12P) (W501)					
28	RWJ1803200QC	FLAT CABLE (3P) (W502)					
		PACKING MATERIALS					
P1	RPG3125	PACKING CASE (SYSTEM)					
P2	RPG2708	PACKING CASE (CD/TUNER)					
P3	RPG2707	PACKING CASE (DECK)					
P4	RPG2706	PACKING CASE (AMPLIFIER)					
P5	RPNO893	PAD (CD/TUNER)					
P6	RPNO892	PAD (DECK)					
P7	RPNO891	PAD (AMPLIFIER)					
P8	SPP740	PROTECTION COVER					
P9	RPF0139	PROTECTION COVER					
P10	RPQ0522	SPACER					
P11	RPQ0541	SPACER					
P12	RPQ0664	SPACER					

Cabinet Parts Location



1127

■ Packaging

